

# **OSTRICH XPD22 2CH Analog I/O Panel**

## **User Manual**

## Caution

To ensure the reliable use of the equipment and the safety of personnel, please observe the following matters during installation, use and maintenance:

1. When installing the equipment, make sure that the ground wire in the power line is well grounded and the chassis grounding point is well grounded.
2. Keep the working environment well ventilated so that the heat generated by the equipment at work can be discharged in time to avoid damage to the equipment due to high temperature.
3. Turn off the main power supply of the equipment when it is not in use for a long time or in a humid and dewy environment.
4. Be sure to unplug the AC power cord of the equipment from the power outlet before the following operations:
  - A. Remove or reinstall any part of the equipment.
  - B. Disconnect or reconnect any electrical plugs or connections to the equipment.
5. Do not disassemble the equipment without permission by non-professionals to avoid the risk of electric shock. Do not repair the equipment privately to avoid aggravating the damage.
6. Do not spill any corrosive chemicals or liquids on or near the equipment

## TABLE OF CONTENTS

Chapter 1 Product Introduction .....	1
1.1 Introduction .....	1
1.2 Product Features .....	1
Chapter 2 Specification .....	1
Chapter 3 Interface Description .....	3
Chapter 4 Installation and use .....	4
Chapter 5 Dante Network Audio Routing .....	5

# Chapter 1 Product Introduction

## 1.1 Introduction

This product supports two sets of balanced I/O analog signals through the local area network access to the Dante system, the input interface using two-in-one XLR socket, providing phantom power switch, input signal gain adjustment function, you can access a higher quality condenser microphone. The output interface is a standard three-core XLR socket, outputting a balanced analog signal. Back network interface, please use Category 5 or above shielded twisted pair cable to connect the POE switch.

## 1.2 Product Features

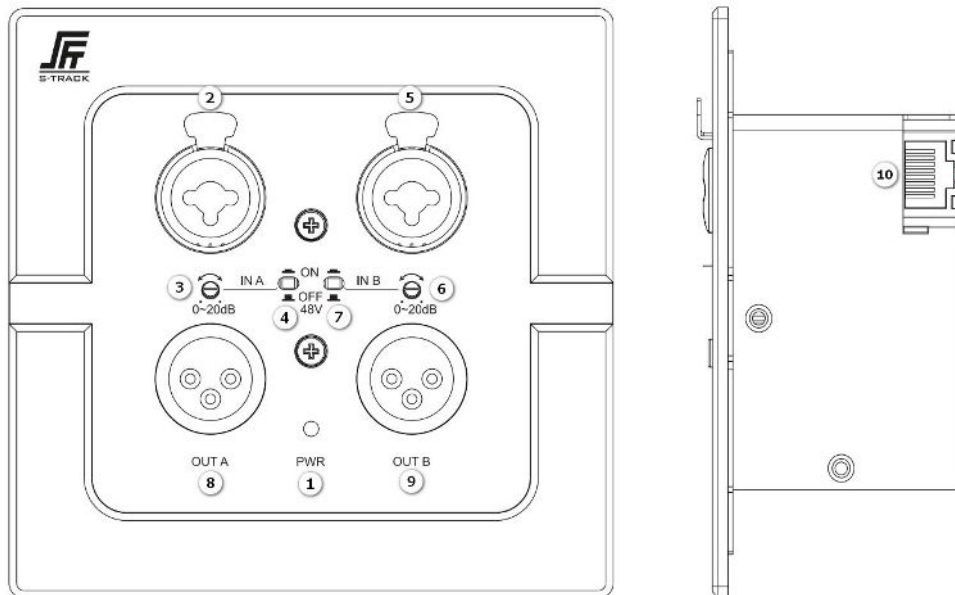
- Built-in Dante module, analog signal to Dante digital signal transfer;
- 2 channel input phantom power switch;
- 2 channel input gain adjustment;
- 2 channel two-in-one Canon input interface;
- Support 802.3af, 802.3at Standard POE switch power supply;
- Simple audio routing, configure audio routing through Dante Controller.

# Chapter 2 Specification

Input interfaces	2×3-pin XLR female connectors; 1×RJ45 connector for transmitting 2 channels of Dante network audio
Output interfaces	1×RJ45 connector for transmitting 2 channels of Dante network audio; 2×3-pin XLR male connectors
Phantom Power	DC 48V
Input Impedance (Balanced)	20kΩ
Output Impedance (Balanced)	100Ω

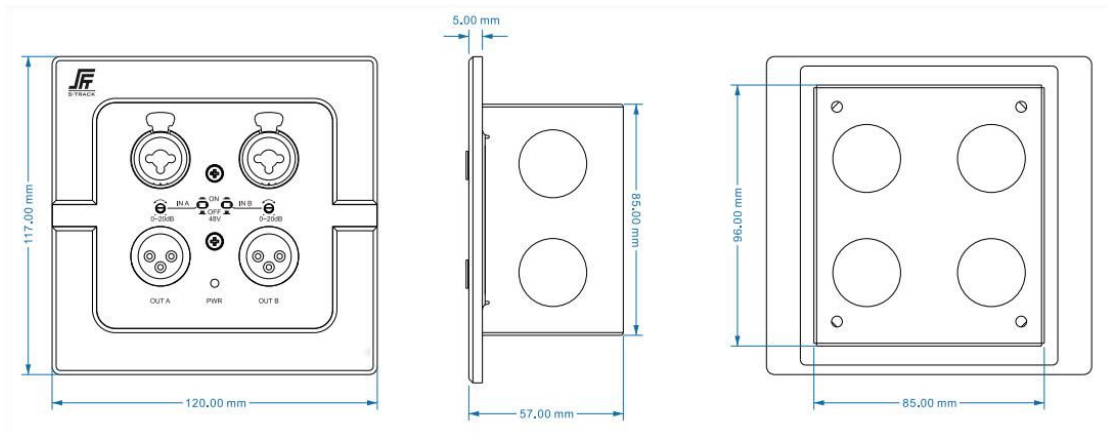
Common Mode Rejection	60dB @50 Hz
Dynamic Range	> 100dB
Frequency Response	30Hz~20kHz, $\pm 0.5$ dB
Noise Floor	-90dBu
Signal-to-Noise Ratio	> 100dB
THD+N	$\leq 0.005\%$ @1kHz, +4dBu
Channel Isolation	> 100dB @1kHz
Maximum Output Level	20dBu
Maximum Input Level	18dBu
Sampling Rate	48kHz
Bit Depth	24-bit
Network Transmission	Dante IP/AES67/RTP Audio
Dante Device Latency	1、 2 or 5ms (Dante Controller Configuration)
Power Supply	802.3af、 802.3at Standard POE switch
Power Consumption	5W
Operating Temperature and Humidity	0°C ~40°C, 10%~90%RH, No condensation
Product Dimensions (L×W×H)	120mm×117mm×57mm
Weight	0.63kg
Package Dimensions (L×W×H)	145mm×145mm×80mm
Package Weight	0.73kg

## Chapter 3 Interface Description



- ① Power indicator;
- ② Analog Input CH1;
- ③ The gain adjustment knob of analog input CH1 is hidden in the adjustment hole, please use the supplied one screwdriver to perform the rotary adjustment of the analog channel input gain, where the gain range is 0~20dB;
- ④ The phantom power supply for analog input CH1 is a hidden self-locking key switch, please use the supplied screwdriver to operate the switch. When the switch is pressed, the key light turns on and the phantom power is turned on; otherwise, the light goes out and the phantom power is turned off;
- ⑤ Analog Input CH2;
- ⑥ The gain adjustment knob of analog input CH2 is hidden in the adjustment hole, please use the supplied one screwdriver to perform the rotary adjustment of the analog channel input gain, where the gain range is 0~20dB;
- ⑦ The phantom power supply for analog input CH2 is a hidden self-locking key switch, please use the supplied screwdriver to operate the switch. When the switch is pressed, the key light turns on and the phantom power is turned on; otherwise, the light goes out and the phantom power is turned off;
- ⑧ Analog Output CH1;
- ⑨ Analog Output CH2;
- ⑩ Dante network interface with POE supply.

## Chapter 4 Installation and use



- ① Recommended size of opening in the wall: length 97mm, width 86mm and depth 60mm;
- ② Firstly, fix the wall box on the wall, then use the hexagonal screwdriver to remove the two screws in the center of the panel and remove the panel;
- ③ Connect the network cable, embed the main unit into the wall box and align the 4 screw holes to hit the screws;
- ④ Cover the panel and tighten the hexagonal screws;
- ⑤ PWR indicator light indicates the power status, bright light means power on, the device works normally;
- ⑥ For input and output channel routing configuration, please download the Dante Controller routing control software for routing configuration.

## Chapter 5 Dante Network Audio Routing

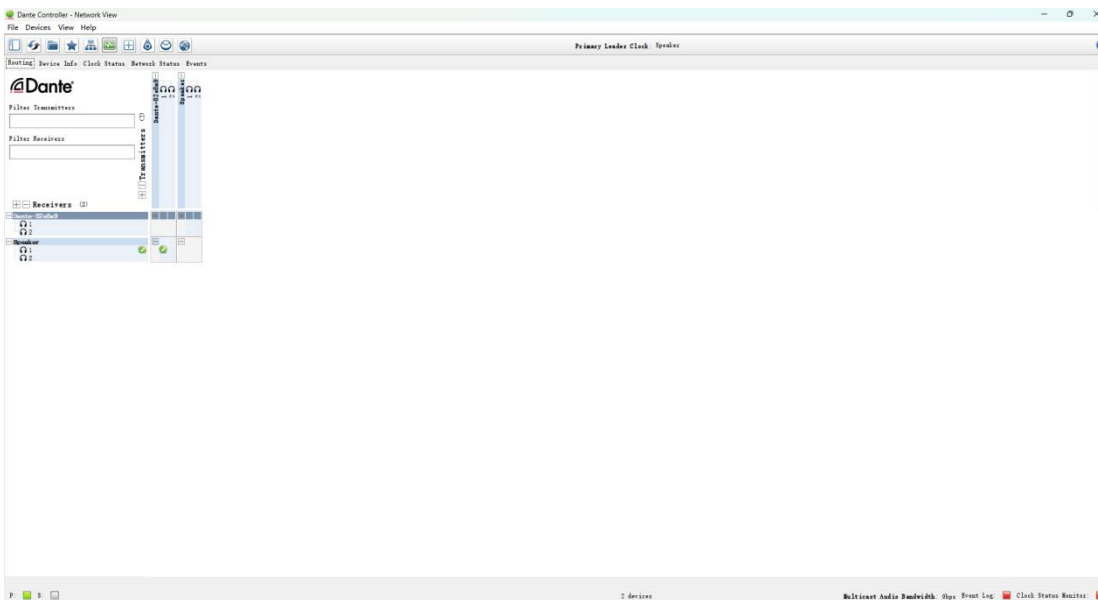
In a Dante audio network, the Dante Controller software is required to set up the routing of the various signals accessing the processor. It can realize 1-to-1, 1-to-N mapping operation from input to output within Dante network.

Note:

- 1, Dante can not run in the Wi-Fi wireless connection environment, is dependent on a reliable and secure wired network environment to transmit perfect audio;
- 2, Dante Controller software corresponds to the platform of Windows 7, Windows 10, Windows 11, macOS, please select the appropriate software version according to your system platform.

[Click to download the official Dante Controller software Dante Controller](https://www.audinate.com/products/software/dante-controller)

(<https://www.audinate.com/products/software/dante-controller>)



# Warranty Regulations

The warranty period of this product is 1 year.

In the warranty period of non-man-made damage caused by the product performance failure can enjoy three packages of service.

Warranty card by the sales unit stamped after the effective. The alteration is invalid!

**The following conditions (including, but not limited to, this) are not covered by the three-package service:**

1. No warranty card or missing valid invoice or the date has exceeded the validity period of the three packages of services;
2. Not in accordance with the requirements of the product instructions for use, maintenance, management and damage caused;
3. The product model or code on the warranty voucher does not match the physical goods;
4. Damage caused by the dismantling and repair of non-authorized service providers;
5. Normal discoloration, wear and tear and consumption during the use of the product are not covered by the warranty;
6. The product cannot be used due to the user's own network reasons, please consult customer service staff.



**SHENZHEN S TRACK SCIENCE TECHNOLOGY CO., LTD**

---

Web: [www.s-track.com.cn](http://www.s-track.com.cn)

Tel: +86 755 29983191

Mail: [service@s-track.cn](mailto:service@s-track.cn)

Add: 9F, 1B, Shangzhi Technology Park, Guangming District, Shenzhen City, Guangdong Province, China 518107